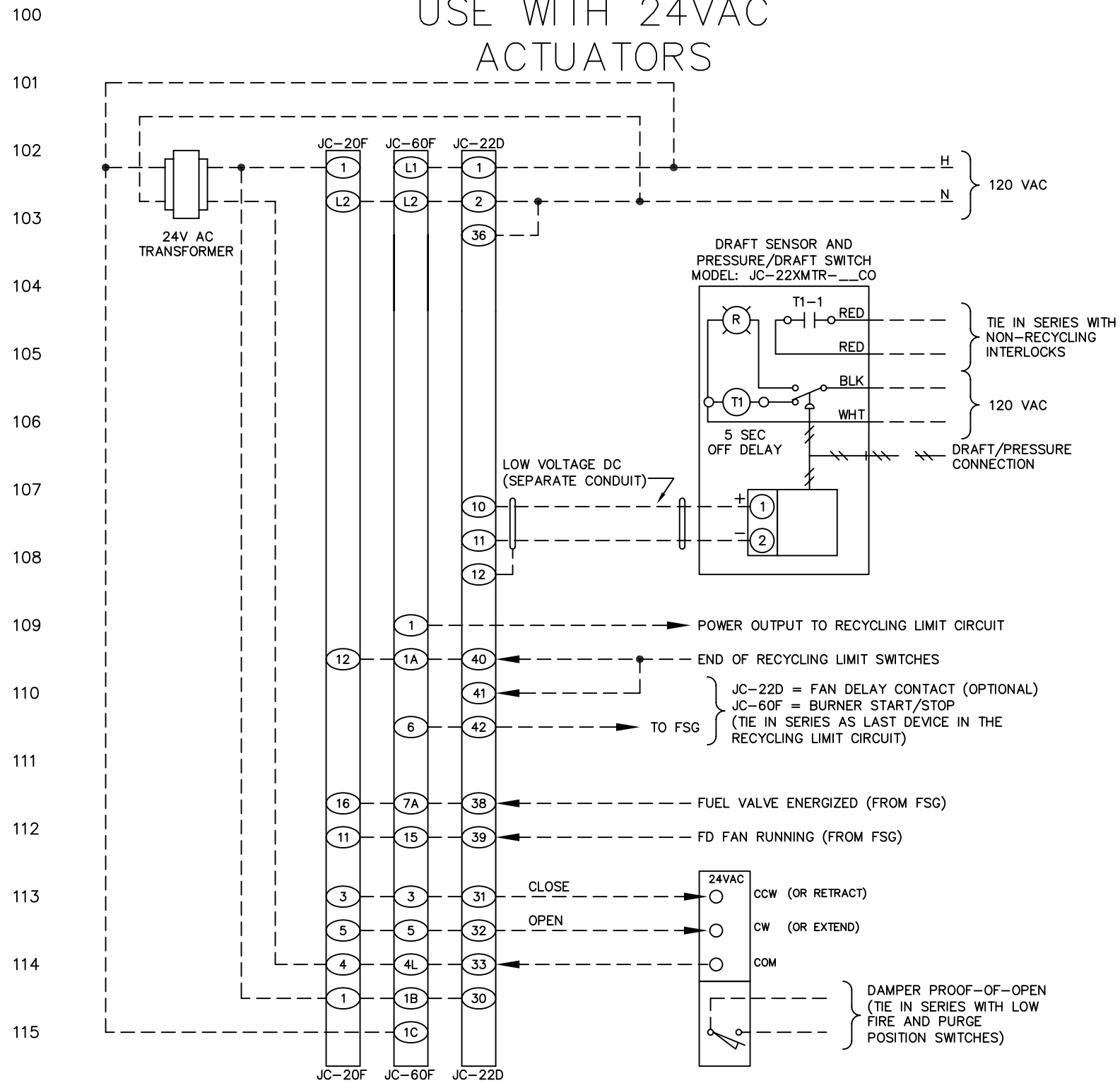


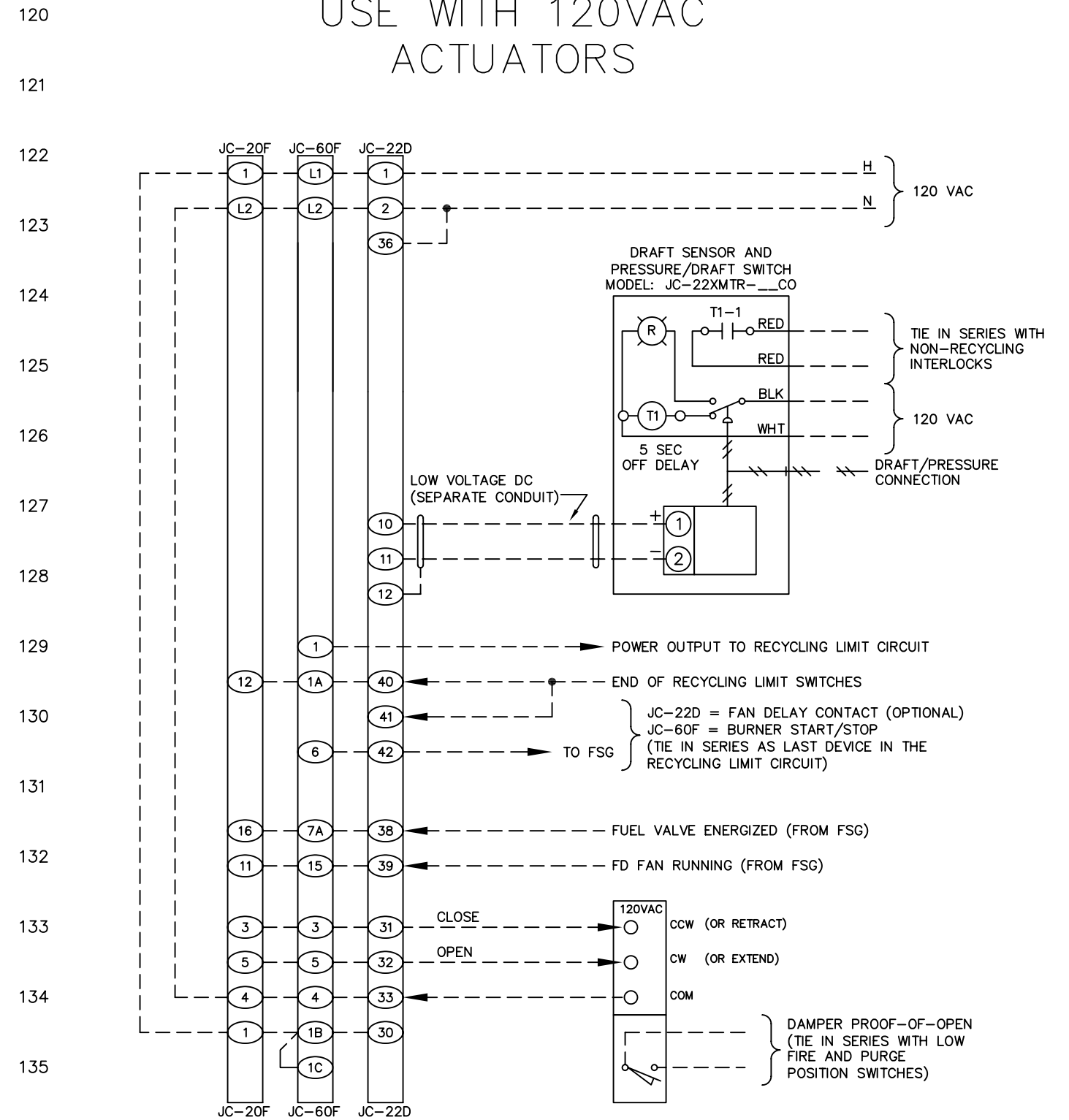
# USE WITH 24VAC ACTUATORS



1. LOW VOLTAGE D.C. WIRING - USE #20 GA. MIN. SHIELDED CABLE - DO NOT RUN IN CONDUIT WITH A.C. VOLTAGE - GROUND SHIELD ONLY WHERE SHOWN - ISOLATE EXPOSED SHIELDS TO PREVENT UNINTENDED CONNECTIONS TO CASE GROUND. LABEL EACH END OF LOW VOLTAGE CABLE.
2. ISOLATE LINE VOLTAGE TERMINALS FROM LOW VOLTAGE TERMINALS.
3. TERMINALS SHOWN MORE THAN ONCE, CONNECT AND WIRE AS SHOWN.
4. ALL JC INPUTS ARE 120VAC.

--- FIELD WIRING, AC  
 TWISTED SHIELDED CABLE  
 DC LOW VOLTAGE - FIELD WIRING

# USE WITH 120VAC ACTUATORS



THIS DRAWING IS THE PROPERTY OF PREFERRED INSTRUMENTS DIVISION AND IS LOANED SUBJECT TO RETURN UPON DEMAND. TITLE TO SAME IS NEVER SOLD OR TRANSFERRED FOR ANY REASON. INFORMATION CONTAINED HEREIN IS NOT TO BE REPRODUCED OR USED IN ANY WAY DETRIMENTAL TO THE COMPANY. ALL RIGHTS TO THE DESIGN OR INVENTION ARE RESERVED. ALL PRODUCTS OF THE COMPANY SOLD AND ALL SERVICES OFFERED ARE SUBJECT TO THE COMPANY'S WARRANTY AND TERMS AND CONDITIONS OF SALE. COPIES OF WHICH WILL BE FURNISHED UPON REQUEST.

**PREFERRED INSTRUMENTS**  
 31-35 SOUTH STREET  
 DANBURY, CONNECTICUT  
 A Division of Preferred Utilities Mfg. Corp.

JC-20F, JC-60F, JC-22D  
 COMPARISON  
 - FIELD WIRING -

FILE	SCI-JC-22D-UPGRADE	LET.	REVISIONS	INIT	DATE	APPR'D.:	SCI-JC-22D-UPGRADE
						SUPERSEDES:	ASS'Y:
						SCALE: N.T.S.	SHT 1 OF 1
						DRN:CAA 2/7/06	